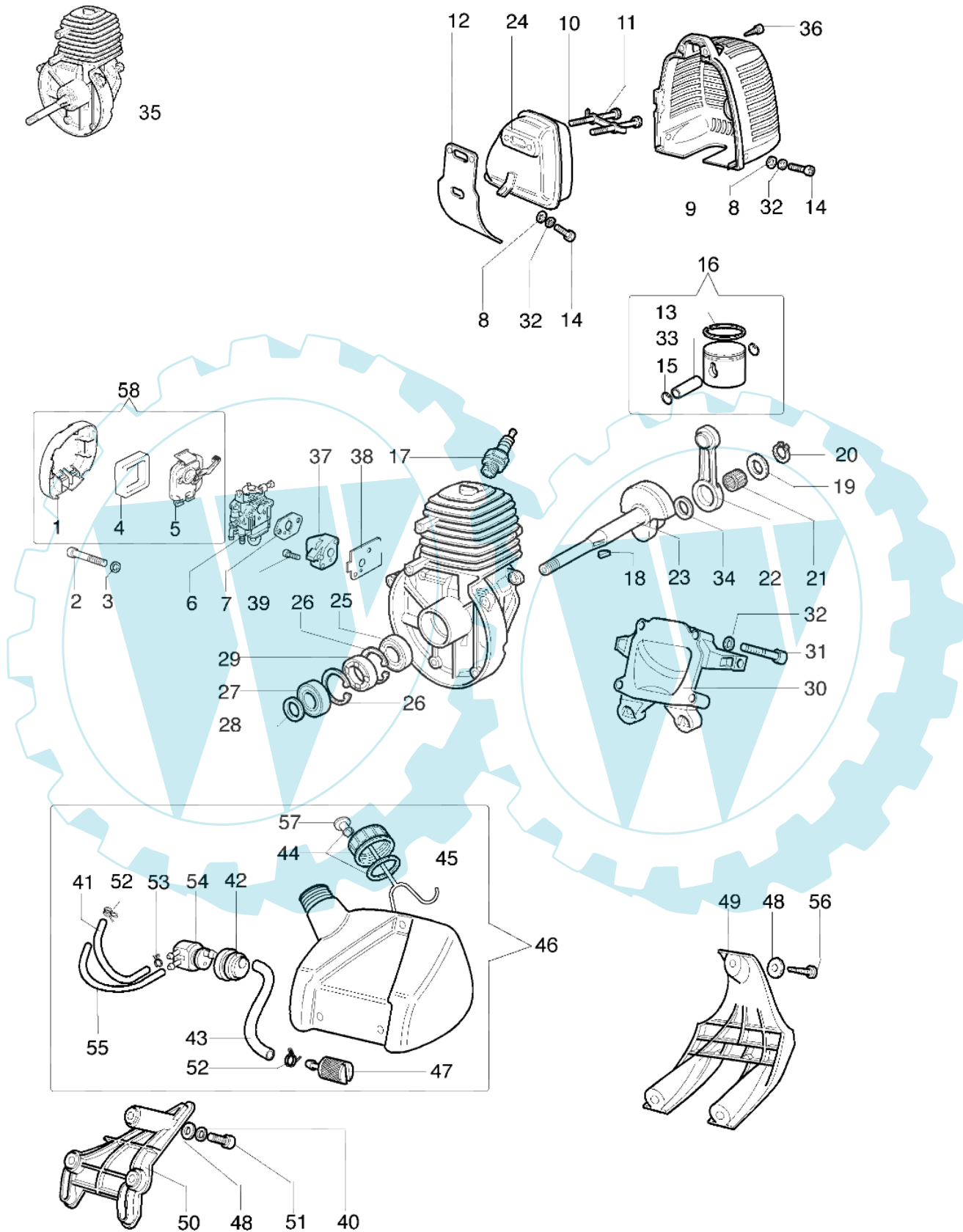
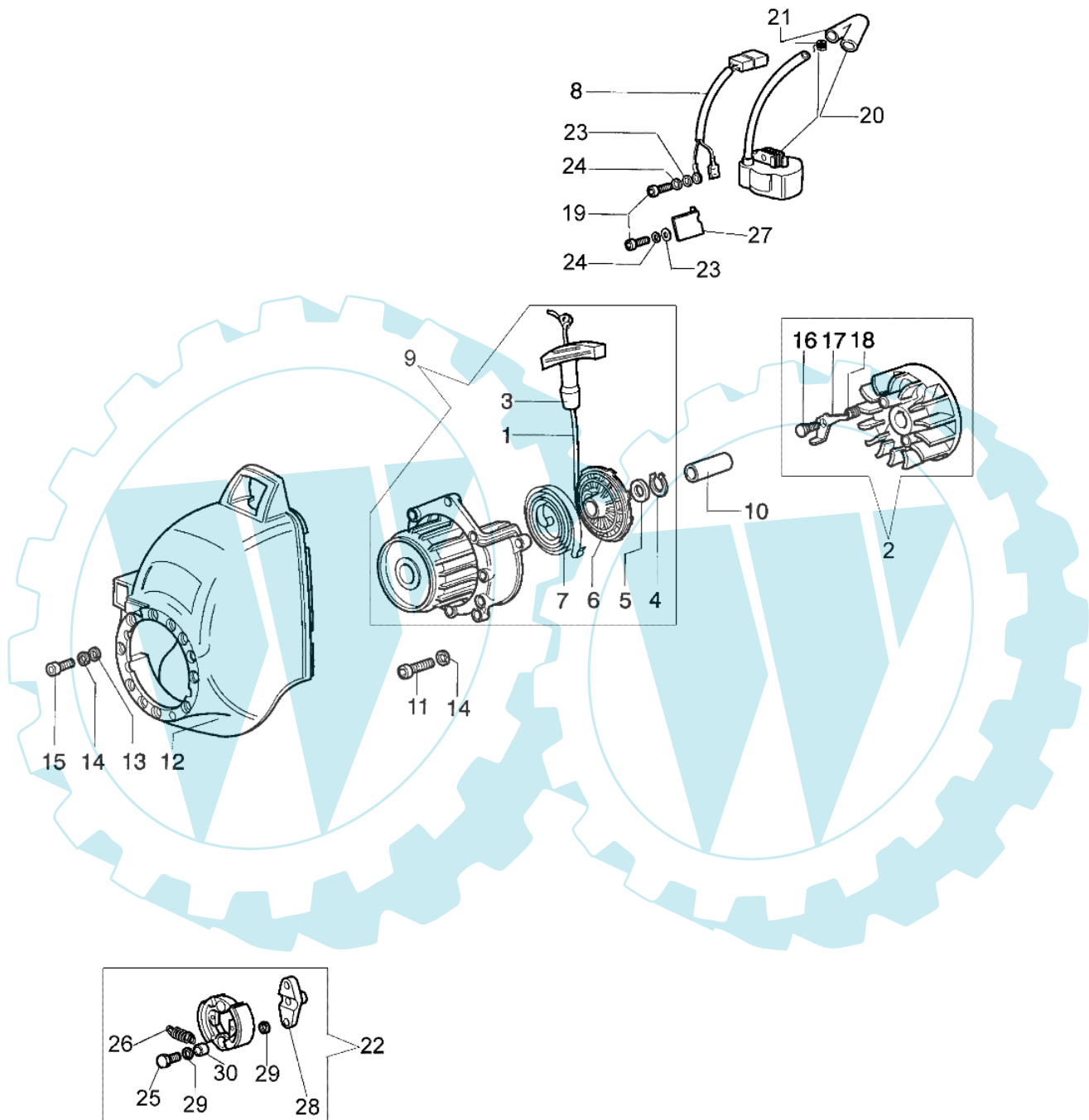


726 D - Motor

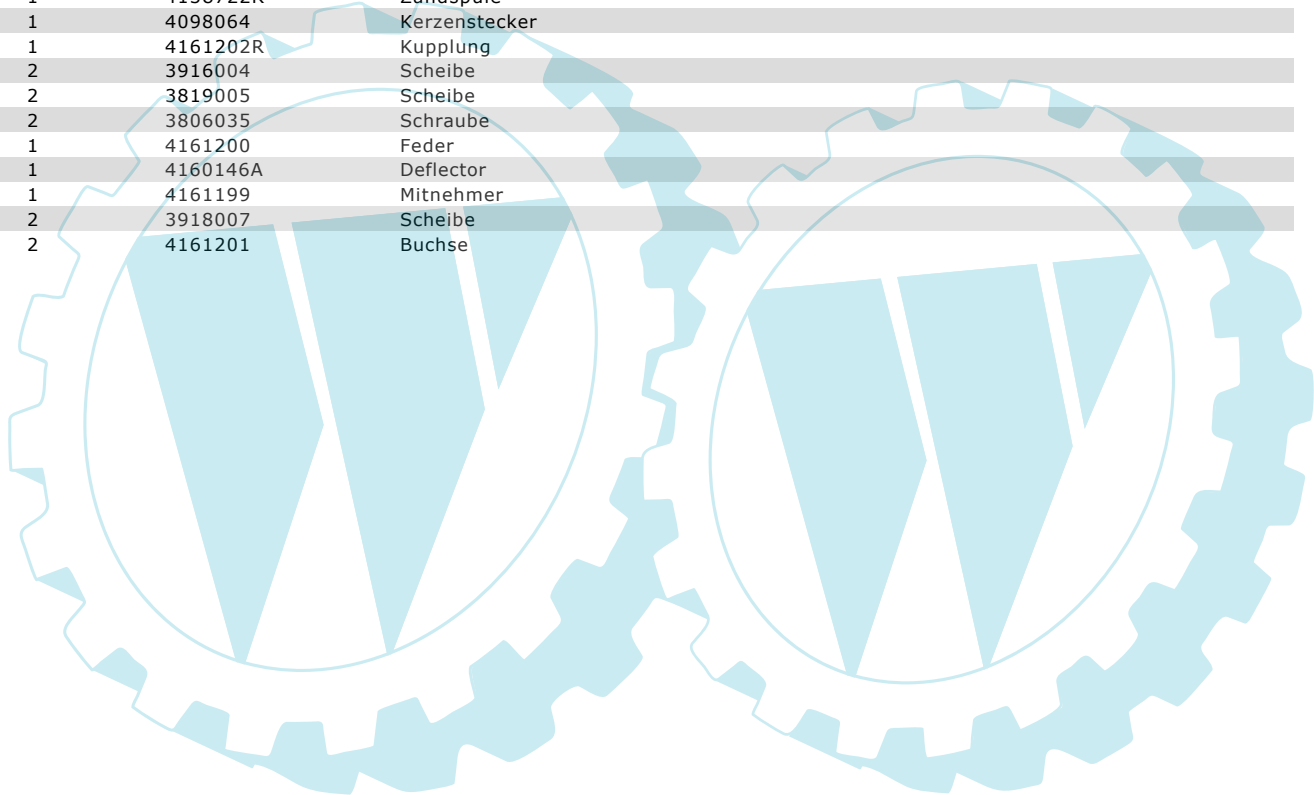


| Bild Nr. | Anz. | Teilenummer | Beschreibung | Technische Nachricht |
|----------|------|-------------|--------------------|----------------------|
| 1 | 1 | 2318563 | Deckel | |
| 2 | 2 | 3801012 | Schraube | |
| 3 | 2 | 3833073 | Scheibe | |
| 4 | 1 | 2318562 | Luft filter | |
| 5 | 1 | 2318564 | Halter | |
| 6 | 1 | 2318560R | Vergaser WYK-26A | |
| 7 | 1 | 4161438 | Dichtung | |
| 8 | 2 | 3916005 | Scheibe | |
| 9 | 1 | 61010005 | Deckel | |
| 10 | 2 | 3806028 | Schraube | |
| 11 | 1 | 4095211R | Blech | |
| 12 | 1 | 61010011 | Dichtung | |
| 13 | 1 | 072700048 | Kolbenring Ø34 | |
| 14 | 2 | 3801010R | Schraube | |
| 15 | 2 | 4160025R | Ring | |
| 16 | 1 | 4160140 | Kolben komplet Ø32 | |
| 17 | 1 | 3055101 | Kundkerze | |
| 18 | 1 | 4098232R | Keil | |
| 19 | 1 | 3064005AR | Scheibe | |
| 20 | 1 | 3024010R | Ring | |
| 21 | 1 | 3037006 | Lager | |
| 22 | 1 | 4161275 | Pleuel | |
| 23 | 1 | 4160363 | Kurbelwelle | |
| 24 | 1 | 61010012 | Auspuff | |
| 25 | 1 | 3034010 | Lager | |
| 26 | 2 | 3025019 | Ring | |
| 27 | 1 | 3035235 | Lager | |
| 28 | 1 | 4160124 | Scheibe | |
| 29 | 1 | 3050030R | Kobelring | |
| 30 | 1 | 61010001 | Deckel | |
| 31 | 4 | 3801015 | Schraube | |
| 32 | 4 | 3819006 | Scheibe | |
| 33 | 1 | 4160026 | Kolben ring | |
| 34 | 1 | 4098683 | Scheibe | |
| 35 | 1 | 4160469 | Short block | |
| 36 | 1 | 3960067 | Schraube | |
| 37 | 1 | 4162256A | Flansch | |
| 38 | 1 | 4162257 | Dichtung | |
| 39 | 2 | 3801047 | Schraube | |
| 40 | 3 | 3819006 | Scheibe | |
| 41 | 1 | 4162297 | Rohr | |
| 42 | 1 | 4162268 | Buchse | |
| 43 | 1 | 4162296 | Rohr | |
| 44 | 1 | 4151258R | Tankdeckel | |
| 45 | 1 | 4100308 | Dichtung | |
| 46 | 1 | 61022005A | Komplet tank | |
| 47 | 1 | 094600450R | Filter | |
| 48 | 3 | 3918005 | Scheibe | |
| 49 | 1 | 61010004 | Schienenfuss | |
| 50 | 1 | 61010002 | Halter | |
| 51 | 1 | 3801010R | Schraube | |
| 52 | 2 | 4098377 | Schelle | |
| 53 | 1 | 3059002 | Schelle | |
| 54 | 1 | 4162270A | Anschluss | |
| 55 | 1 | 4162316 | Rohr | |
| 56 | 3 | 3960057R | Schraube | |
| 57 | 1 | 4098658AR | Entlueftungsventi | |
| 58 | 1 | 2318561 | Luft filter | |

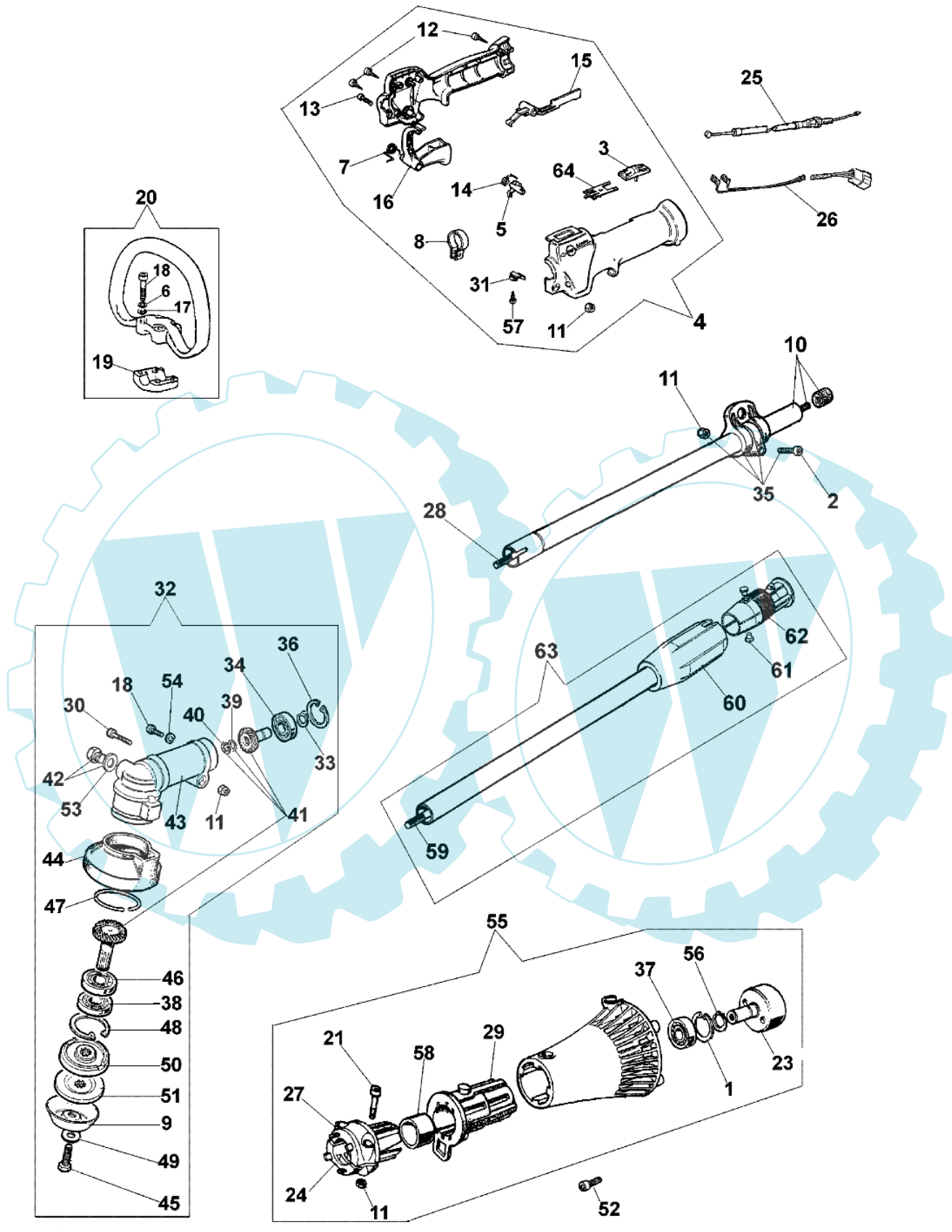
726 D - Starter und kupplung



| Bild Nr. | Anz. | Teilenummer | Beschreibung | Technische Nachricht |
|----------|------|-------------|---------------|----------------------|
| 1 | 1 | 4160125 | Starterseil | |
| 2 | 1 | 4161264B | Schwungrad | |
| 3 | 1 | 4191020A | Starter griff | |
| 4 | 1 | 3024018R | Ring | |
| 5 | 1 | 4161150R | Ring | |
| 6 | 1 | 4161148AR | Scheibe | |
| 7 | 1 | 004000132R | Feder | |
| 8 | 1 | 4162266A | Kabel | |
| 9 | 1 | 4161361 | Starter kpl. | |
| 10 | 2 | 4160072R | Distanzstück | |
| 11 | 1 | 3801010R | Schraube | |
| 12 | 1 | 61010006R | Deckel | |
| 13 | 4 | 3916005 | Scheibe | |
| 14 | 4 | 3916006 | Scheibe | |
| 15 | 4 | 3801009 | Schraube | |
| 16 | 1 | 4161151 | Stift | |
| 17 | 1 | 4138441 | Klinke | |
| 18 | 1 | 4161186A | Feder | |
| 19 | 2 | 3801003 | Schraube | |
| 20 | 1 | 4138722R | Zündspule | |
| 21 | 1 | 4098064 | Kerzenstecker | |
| 22 | 1 | 4161202R | Kupplung | |
| 23 | 2 | 3916004 | Scheibe | |
| 24 | 2 | 3819005 | Scheibe | |
| 25 | 2 | 3806035 | Schraube | |
| 26 | 1 | 4161200 | Feder | |
| 27 | 1 | 4160146A | Deflector | |
| 28 | 1 | 4161199 | Mitnehmer | |
| 29 | 2 | 3918007 | Scheibe | |
| 30 | 2 | 4161201 | Buchse | |

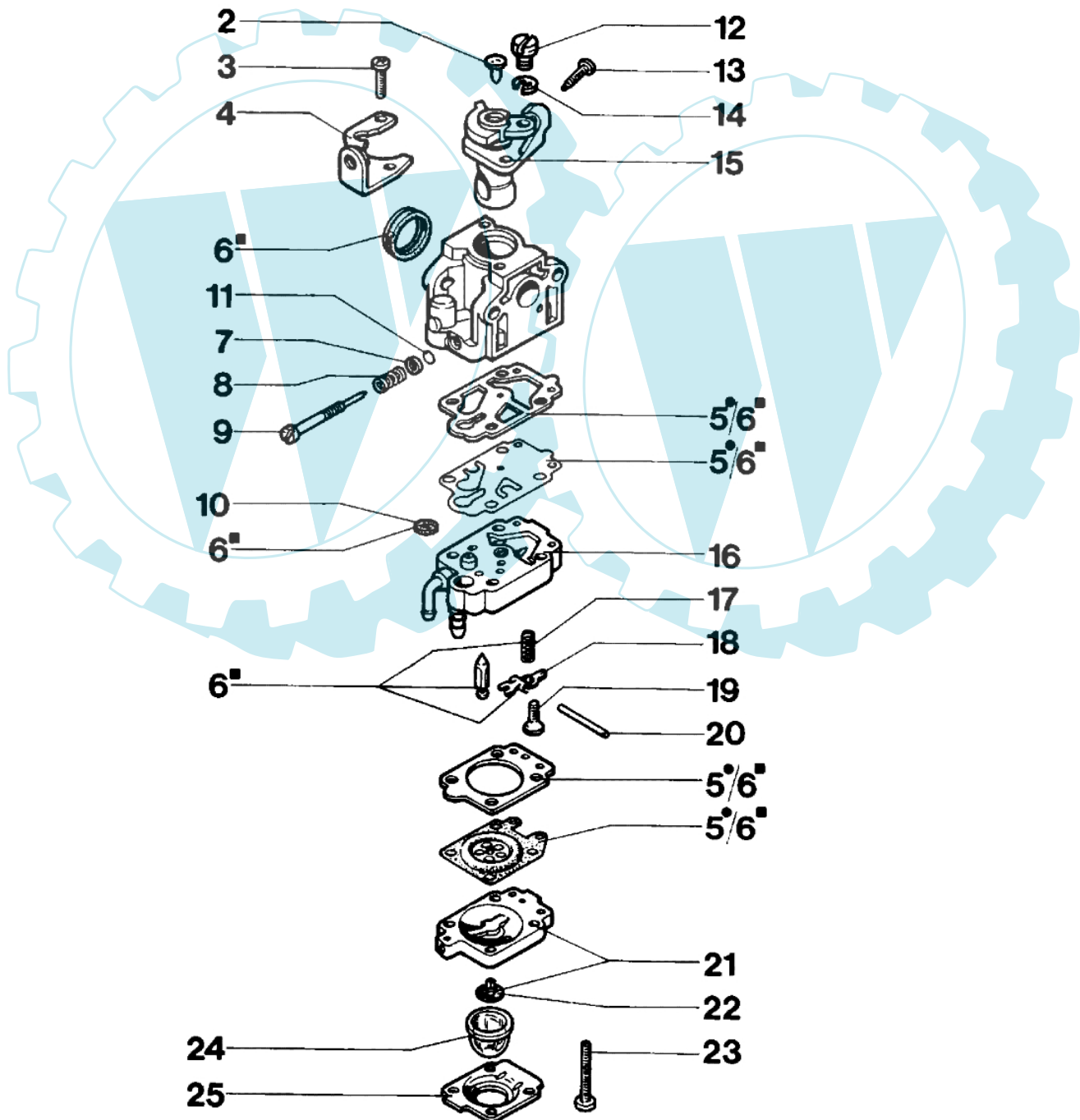


726 D - Antrieb

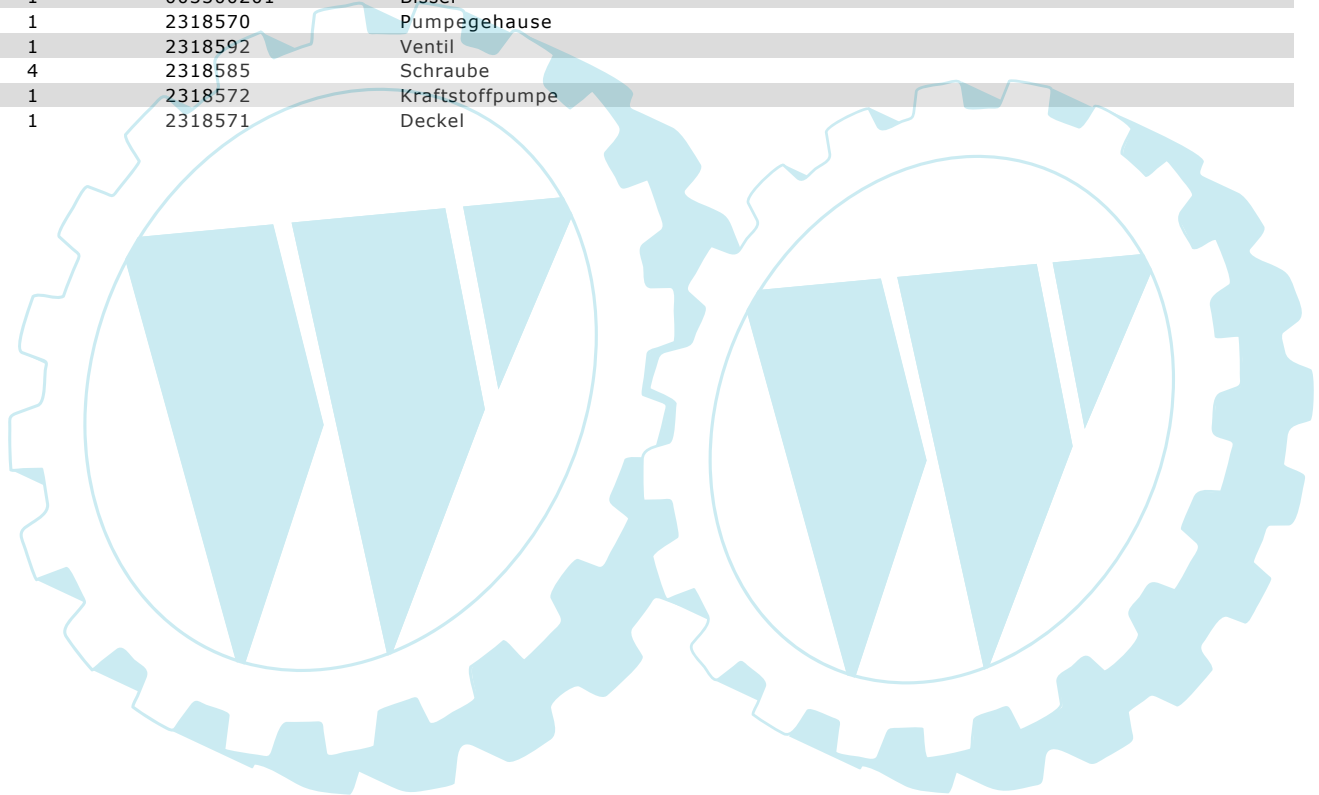


| Bild Nr. | Anz. | Teilenummer | Beschreibung | Technische Nachricht |
|----------|------|-------------|---------------------|----------------------|
| 1 | 1 | 3025019 | Ring | |
| 2 | 1 | 3801015 | Schraube | |
| 3 | 1 | 61040051 | Kombischieber | |
| 4 | 1 | 61012006A | Handgriff | |
| 5 | 1 | 61040052 | Klinke | |
| 6 | 4 | 3819006 | Scheibe | |
| 7 | 1 | 61040056 | Feder | |
| 8 | 1 | 61010019 | Schelle | |
| 9 | 1 | 4100456R | Schultz | |
| 10 | 1 | 4161397 | Rohr | |
| 11 | 4 | 3914003 | Mutter | |
| 12 | 3 | 3960067 | Schraube | |
| 13 | 1 | 3801011 | Schraube | |
| 14 | 1 | 61040057 | Feder | |
| 15 | 1 | 61040050A | Hebel | |
| 16 | 1 | 61040049 | Gashebel | |
| 17 | 1 | 3918010 | Kugelscheibe | |
| 18 | 5 | 3801017R | Schraube | |
| 19 | 1 | 61010024 | Kragen | |
| 20 | 1 | 61032012 | Handgriff | |
| 21 | 2 | 3801016 | Schraube | |
| 23 | 1 | 4161343 | Kettenrad | |
| 24 | 1 | 61010020 | Ziegel | |
| 25 | 1 | 61040058 | Gaskabel | |
| 26 | 1 | 61010023A | Kabel | |
| 27 | 1 | 61010021 | Ziegel | |
| 28 | 1 | 4161378 | Flexibel welle | |
| 29 | 1 | 4161428 | Kappe | |
| 30 | 1 | 3801015 | Schraube | |
| 31 | 1 | 61040054 | Blech | |
| 32 | 1 | 4160012AR | Kegelradantrieb Ø26 | |
| 33 | 1 | 3024010R | Ring | |
| 34 | 1 | 3035005 | Lager | |
| 35 | 1 | 4161433A | Schelle | |
| 36 | 1 | 3025018 | Ring | |
| 37 | 1 | 3035023 | Lager | |
| 38 | 1 | 3035012 | Lager | |
| 39 | 1 | 4138311A | Ring | |
| 40 | 1 | 3025009 | Ring | |
| 41 | 1 | 4160139 | Kegelradantrieb | |
| 42 | 1 | 4138428 | Stopfen | |
| 43 | 1 | 4160338 | Getriebe gehause | |
| 44 | 1 | 4162177A | Schultz | |
| 45 | 1 | 3806069R | Schraube | |
| 46 | 1 | 3034011 | Lager | |
| 47 | 1 | 4162178 | Feder | |
| 48 | 1 | 3025021 | Ring | |
| 49 | 1 | 3916008R | Scheibe | |
| 50 | 1 | 4160004BR | Flansch | |
| 51 | 1 | 4160005 | Flansch | |
| 52 | 4 | 4175074 | Schraube | |
| 53 | 1 | 4179141 | Scheibe | |
| 54 | 2 | 3819006 | Scheibe | |
| 55 | 1 | 61012009 | Deckel | |
| 56 | 4 | 3024012 | Ring | |
| 57 | 2 | 3806035 | Schraube | |
| 58 | 1 | 4161364 | Buchse | |
| 59 | 1 | 4161380 | Flexibel welle | |
| 60 | 1 | 4161381 | Zwinge | |
| 61 | 2 | 4161377 | Stift | |
| 62 | 1 | 4161382 | Spannzage | |
| 63 | 1 | 4161407 | Rohr | |
| 64 | 1 | 61040053 | Blech | |

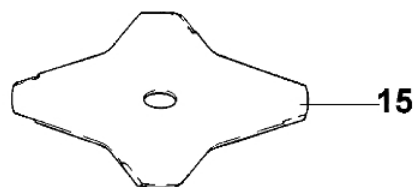
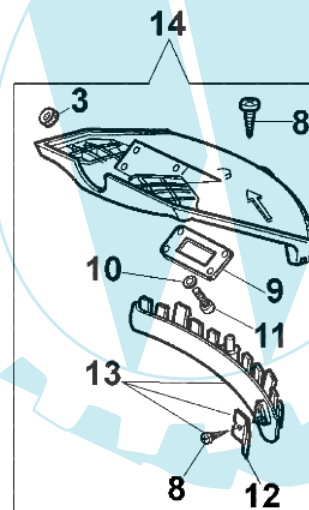
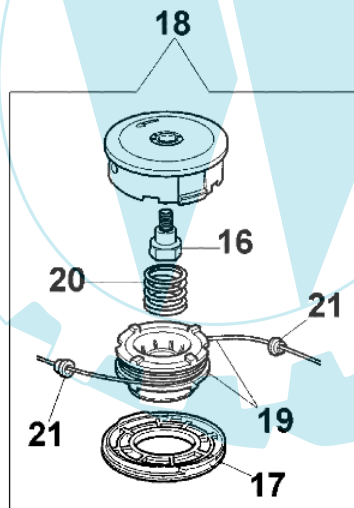
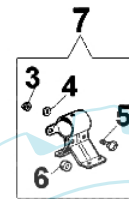
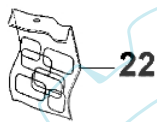
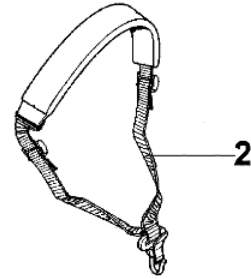
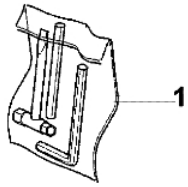
1 WALBRO WYK 26A



| Bild Nr. | Anz. | Teilenummer | Beschreibung | Technische Nachricht |
|----------|------|-------------|------------------|----------------------|
| 1 | 1 | 2318560R | Vergaser WYK-26A | |
| 2 | 2 | 2318578 | Stopfen | |
| 3 | 1 | 2318580 | Schraube | |
| 4 | 1 | 2318581 | Halter | |
| 5 | 1 | 2318590 | Dichtungen set | |
| 6 | 1 | 2318591 | Reparatur-satz | |
| 7 | 1 | 2318588 | Scheibe | |
| 8 | 1 | 2318587 | Feder | |
| 9 | 1 | 2318586 | Schraube H | |
| 10 | 1 | 2318571 | Deckel | |
| 11 | 1 | 2318589 | Kobelring | |
| 12 | 1 | 2318577 | Mutter | |
| 13 | 1 | 2318583 | Schraube | |
| 14 | 1 | 2318189 | Ring | |
| 15 | 1 | 2318579 | Ventil | |
| 16 | 1 | 2318567 | Pumpegehäuse | |
| 17 | 1 | 2318568 | Feder | |
| 18 | 1 | 003300200 | Vorspann | |
| 19 | 1 | 2318569 | Schraube | |
| 20 | 1 | 003300201 | Bissel | |
| 21 | 1 | 2318570 | Pumpegehäuse | |
| 22 | 1 | 2318592 | Ventil | |
| 23 | 4 | 2318585 | Schraube | |
| 24 | 1 | 2318572 | Kraftstoffpumpe | |
| 25 | 1 | 2318571 | Deckel | |



726 D - Schneidwerkzeuge



| Bild Nr. | Anz. | Teilenummer | Beschreibung | Technische Nachricht |
|----------|------|-------------|-----------------------------|----------------------|
| 1 | 1 | 61012010 | Werkzeugsatz | |
| 2 | 1 | 4160463 | Keilriemen | |
| 3 | 3 | 3914003 | Mutter | |
| 4 | 2 | 3916005 | Scheibe | |
| 5 | 2 | 3910005 | Schraube | |
| 6 | 2 | 4160209 | Distanzstück | |
| 7 | 1 | 4160236 | Schelle | |
| 8 | 2 | 3960040R | Schraube | |
| 9 | 1 | 4138682 | Platte | |
| 10 | 4 | 3819006 | Scheibe | |
| 11 | 4 | 3801011 | Schraube | |
| 12 | 1 | 4174275 | Blatt | |
| 13 | 1 | 4179113A | Schürze | |
| 14 | 1 | 4161507A | Komplett schutz | |
| 15 | 1 | 4095568R | Schneidblatt | |
| 16 | 1 | 4199008A | Einsatz | |
| 17 | 1 | 4199026 | Deckel | |
| 18 | 1 | 63019001B | Halbautomatischef kpl. Ø2,4 | |
| 19 | 1 | 4199014 | Zundanker | |
| 20 | 1 | 4199004 | Feder | |
| 21 | 2 | 4199005A | Distanzring | |
| 22 | 1 | 61032044 | Etikette | |

